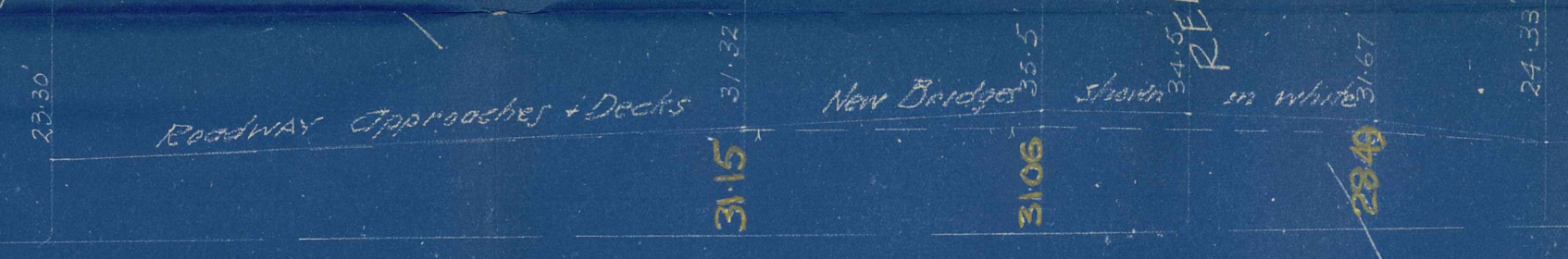
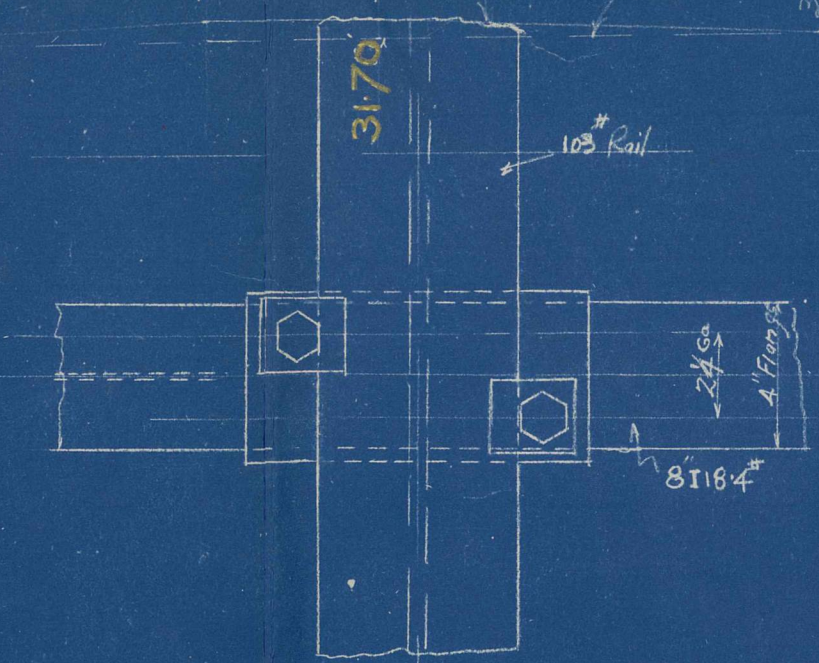


YELLOW LINES SHOW OLD LAYOUT
 WHITE LINES SHOW PROPOSED LAYOUT
 OVER NEW BRIDGES

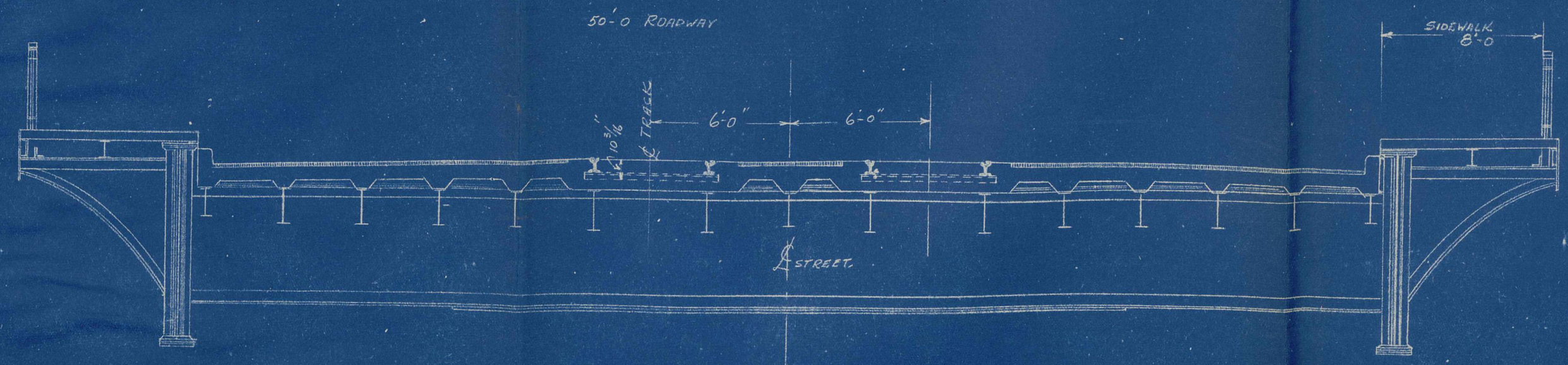
PROFILE for NEW LAYOUT
 PROFILE of OLD LAYOUT



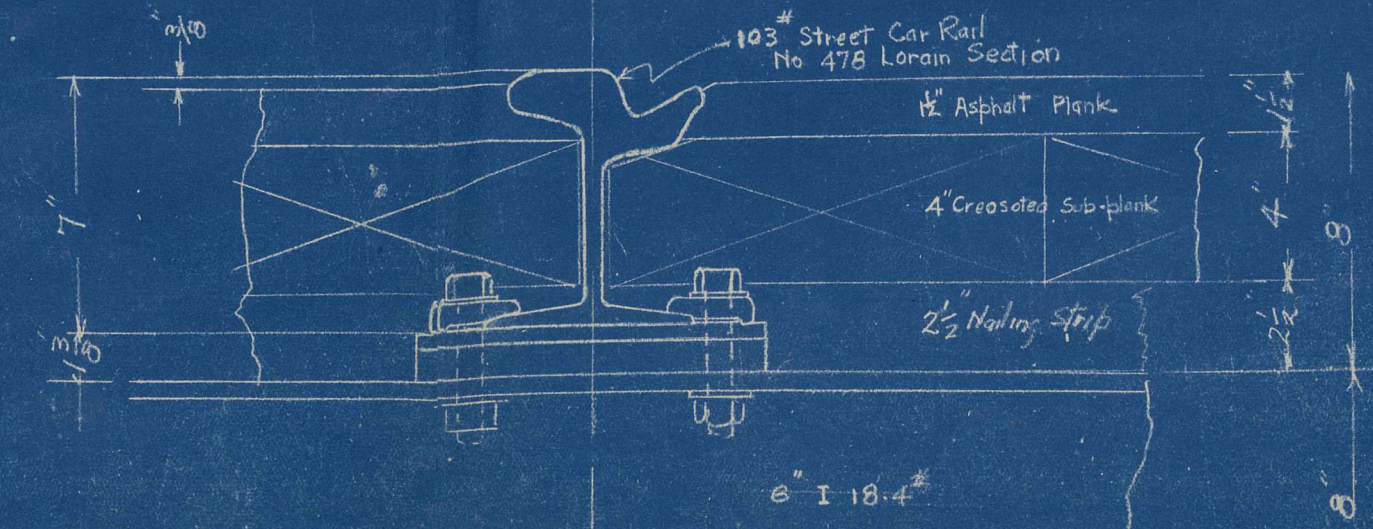
VERTICAL SCALE 1" = 40.0'
 HORIZONTAL SCALE 1" = 100.0'



DETAIL
 RAIL FASTENING ON BASCULE SPAN
 SCALE 3" = 1'



TYPICAL CROSS SECTION for BOTH BRIDGES
 Scale 1/2" = 1 ft.



MAIN ST & NORWOOD BRIDGES.
 PLAN SHOWING
 LOCATIONS REFERRED TO IN VARIOUS
 ESTIMATES.
 MARCH 30-1931